

Speaker

Model: OSS46-38-5A0.5W50-P



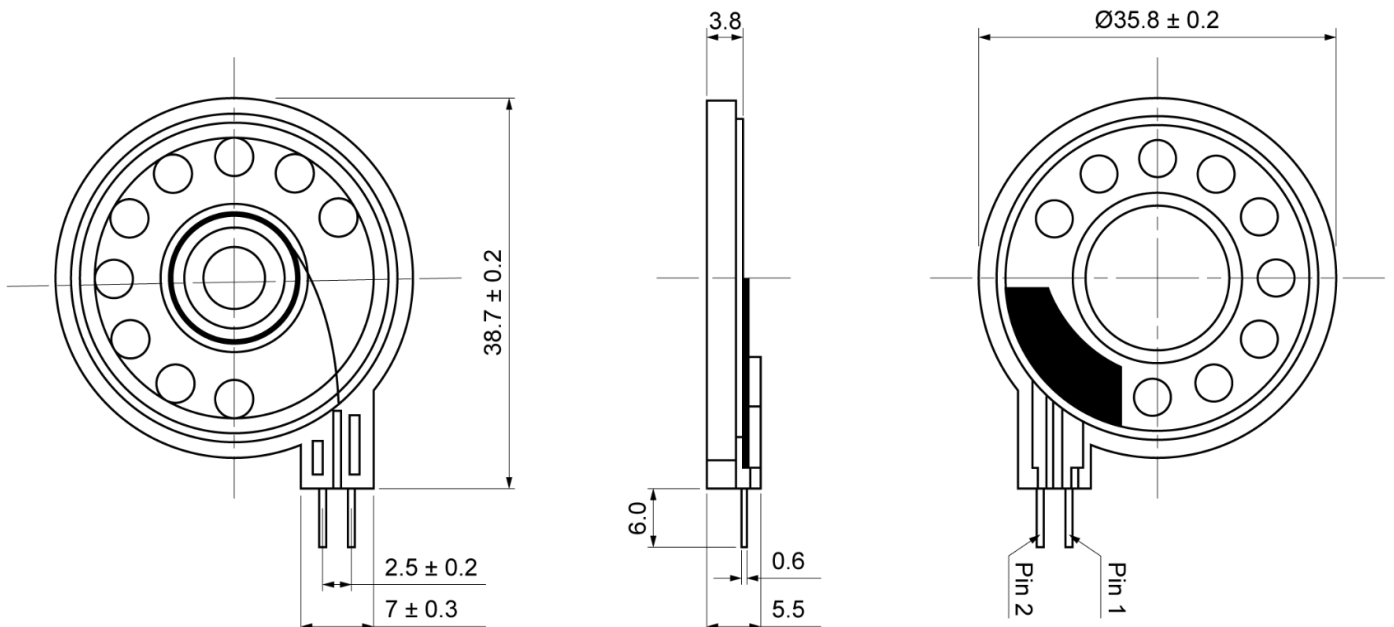
ELECTRICAL SPECIFICATIONS

	Condition	Parameter	Unit
Sound Pressure Level	at 0.1W, 10cm [at 0.5, 0.6, 0.8, 1.0KHz]	95 ± 3	dB
Impedance	at 1V, 1000Hz	50 ± 15%	Ω
Rated Input Power		0.5	W
Max Input Power		1	W
Resonant Frequency (Fo)	at 1V	550 ± 20%	Hz
Frequency Range		250 ~ 6700	Hz
Buzzer & Rattles	not be audible at sine wave between F0 ~ 6.7KHz	5	V
Operating Temperature		-30 ~ 75	°C
Magnet		Nd-Fe-B	
Frame Material		Plastic	
Cone Material		PET	
Weight		6.6	g

MECHANICAL DRAWING

Dimensions in mm

Tolerance ±0.5mm Except Specified



Speaker

Model: OSS46-38-5A0.5W50-P

FREQUENCY RESPONSE CURVE

